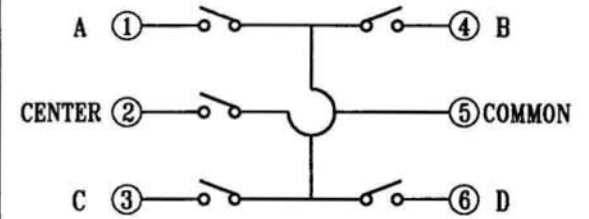
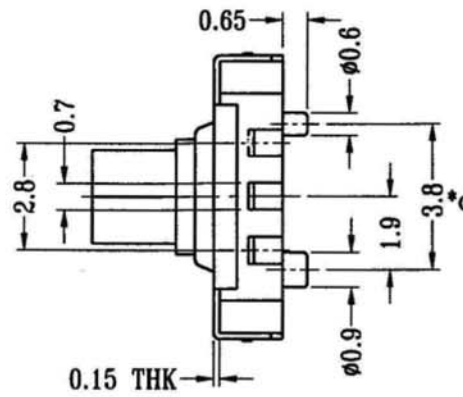
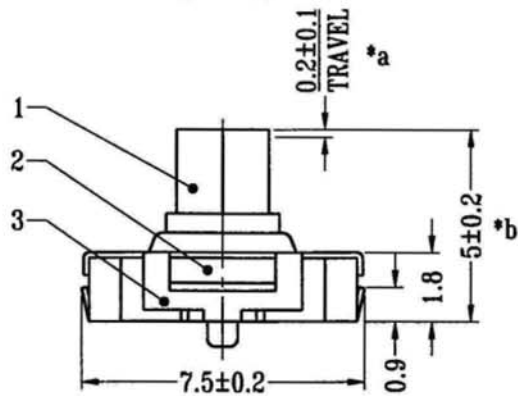
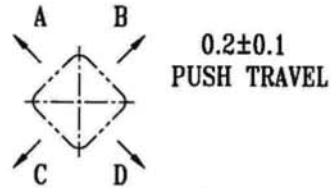
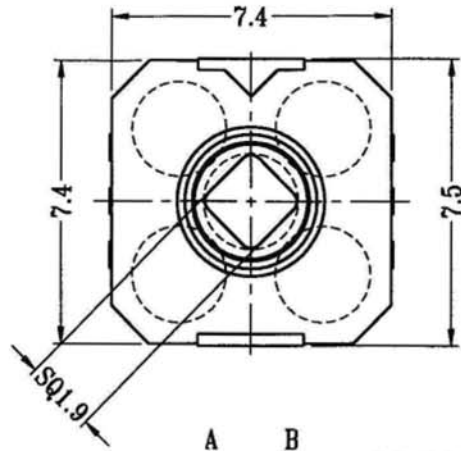
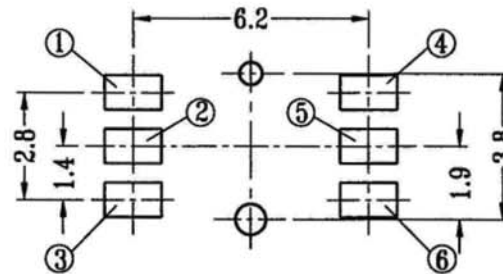


CAD FILE:



SCHEMATIC



P.C.B LAYOUT

OPERATING FORCE  
CENTRAL : 300±100gf  
LOCAL : 200±50gf

注：“\*”表示關鍵尺寸(3個)

NO.	PARTS	MATERIALS	Q'TY	FINISH	TOLERANCE UNLESS SPECIFIED	ISSUE	DATE	DESCRIPTIONS OF REVISION	APPD.
8									
7									
6	CONTACT B	SUS	2	Ag CLAD	WITHIN 1.5mm : ±0.1mm				
5	HOUSING	NYLON+F.G	1	BLACK	OVER 1.5mm : ±0.2mm				
4	CONTACT A	SUS	1	Ag CLAD					
3	COVER	SUS	1	WASHING					
2	CASE	NYLON+F.G+94V0/BRASS STRIP	1	BLACK/Ag PLATED OVER Ni PLATED					
1	KNOB	NYLON+F.G	1	BLACK					
					TITLE : MICRO TACT SWITCH		UNIT : mm	DRWG NO.: SF-DR-MT008A-00	
					MODEL: MT-008A		SCALE: 5:1	DWN. 葉滿根	15-Dec-2004
					淮洋有限公司 HUAI YANG CO., LTD.		CHK'D 葉滿根	15-Dec-2004	
							APPD. 葉滿根	15-Dec-2004	